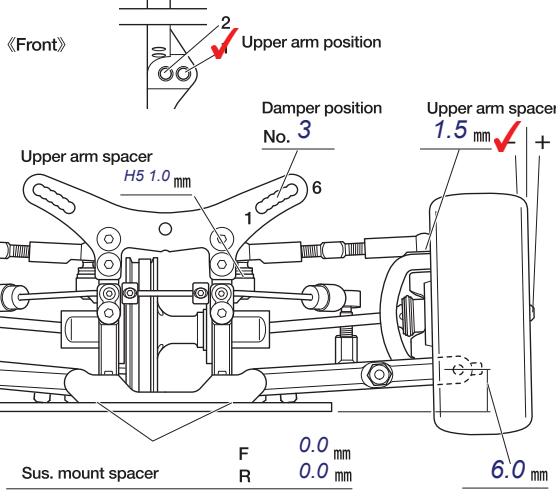


TRF 419 WORLD CHAMPION TEAM

TAMIYA RACING FACTORY

SETTING SHEET

Name **Ed Clark** Date **08Mar2015** Air temp. **22** Humidity **50**
 Track **SMA** Track condition **Low - Med grip** Track temp. **30**

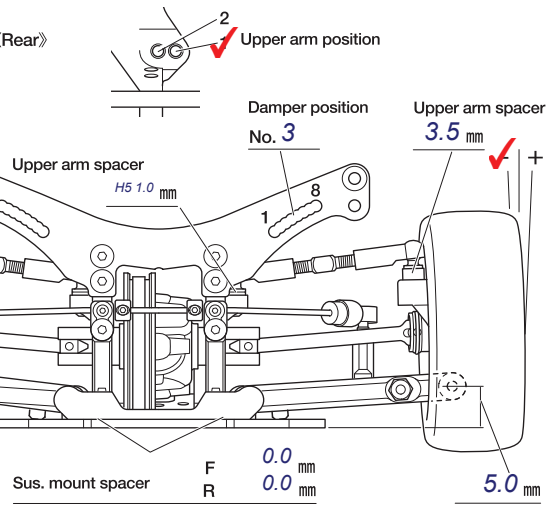


Front axle	4°
Camber angle	-1.5°
Ground clearance	5.2 mm
Rebound stroke	3 mm
Stabilizer	Black (1.3mm)
Wheel spacer	0.5 mm
Front drive	Spool
Differential oil	# %

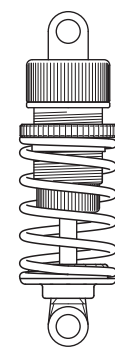


Damper type	TRF419
Piston	3 x 1.1mm hole(s)
Oil	MuchMore 450 #
Spring	Schumacher Green

2x Blue Comp. O-rings in bottom of shocks F&R
 Droop on 10mm blocks and gauge to arm under pin

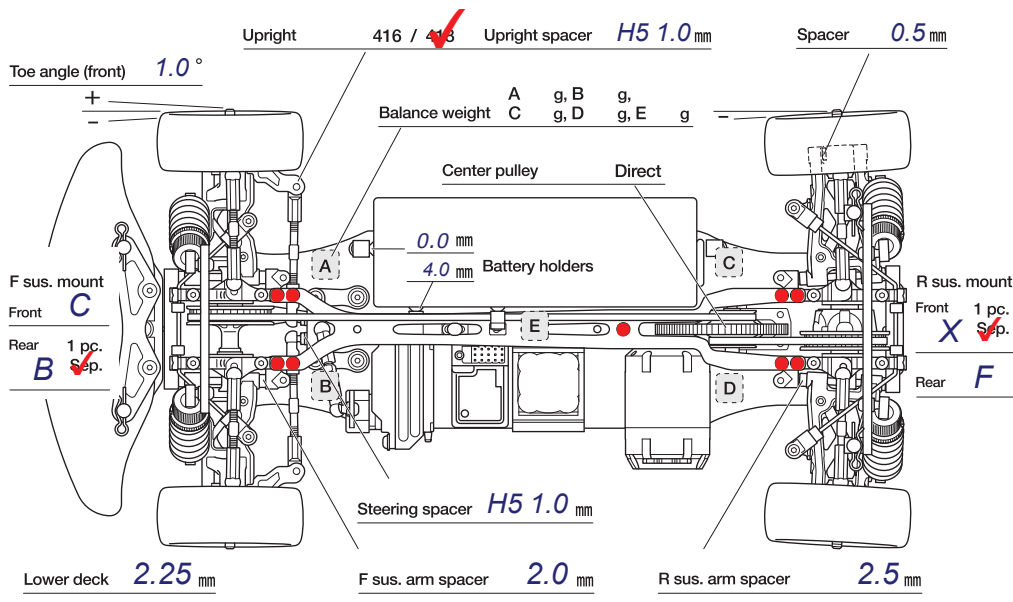


Rear upright	416 / 8
Camber angle	-2.0°
Ground clearance	5.4 mm
Rebound stroke	3 mm
Stabilizer	Black (1.2mm)
Wheel spacer	0.5 mm
Rear drive	Gear Diff
Differential oil	MuchMore 5000



Damper type	TRF419
Piston	3 x 1.1mm hole(s)
Oil	MuchMore 450 #
Spring	Schumacher Green

Two screws in motor mount
 Roll bar in middle arm hole



Motor	Hobbywing V10 4.5t				
Spur	86 _T	Pinion	20 _T	Pitch	48
Battery	ProAmps 6000				300 g
Body	LTC-R lwt				
Wing	MR33				
Tire	Sorex 36R				
Wheel	Schumacher Stiff				
Tire insert	Schumacher Red				
Best lap					