

THINKRC MTC1.e

TH-502 - MTC1.e Chassis Conversion Kit

Thank you for purchasing this MTC1.e conversion kit!

Kit Contents

Part #	Description	Amount
C-101	MTC1.e Chassis Plate	1
C-201	MTC1.e Top Deck	1

This kit has been designed to improve the handling balance, and overall grip of the MTC1. After many hours of research and testing, this kit is the culmination of that effort, and we are sure you will be impressed with the improved poise and balance obtained.

We strongly recommend that you start by stripping down your MTC1 completely, as this will aid in the ease of reassembly of the components. And it's always good to rebuild every once in a while. Just follow the following instructions when rebuilding.

The included parts are either direct replacements for the kit parts. No modifications to current or conversion parts are required.

We have worked hard to ensure that the supplied parts are the highest quality possible, and we hope you enjoy unlocking more potential from your car.

If you have any issues with your kit, please contact us at think@thard.co.uk

© Think RC - 2018

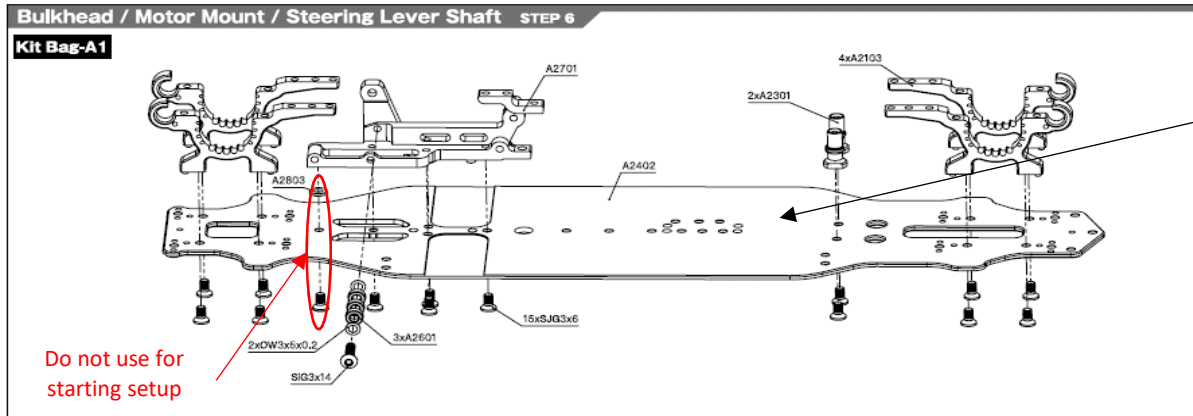
Step 1 Replace Chassis plate

1pc C-101 MTC1.e Chassis Plate



Replace A2402 with C-101

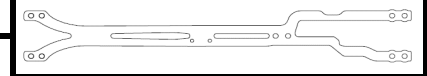
For starting setup, do not use the rear most motor mount screw and shim.
Add this screw/shim if you require more rear stability, but this will reduce steering.



Do not use for starting setup

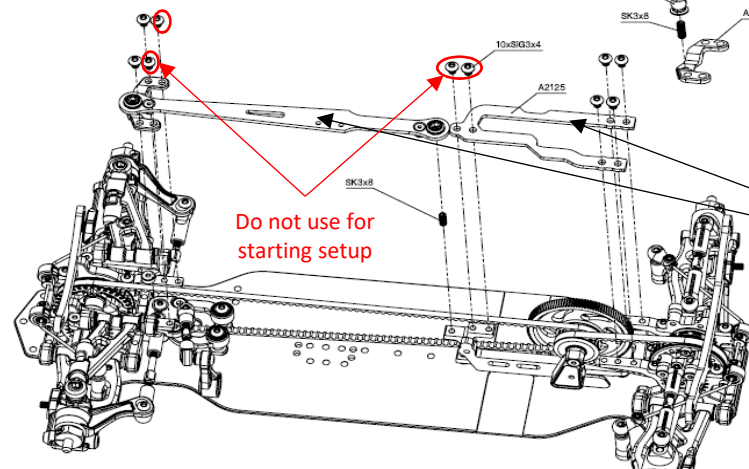
Step 2 Replace Top Deck

1pc C-201 MTC1.e Top Deck



Replace A2123 & A2125 with C-201

For base setting, we recommend NOT using the two centre screws, and only the two forward most screws into the front bulkhead



Do not use for starting setup